

RIDGE

EG3010 - LOC SEAM - RIDGE

EG3020 - LOC SEAM - RIDGE - PURLIN INSULATION PAN

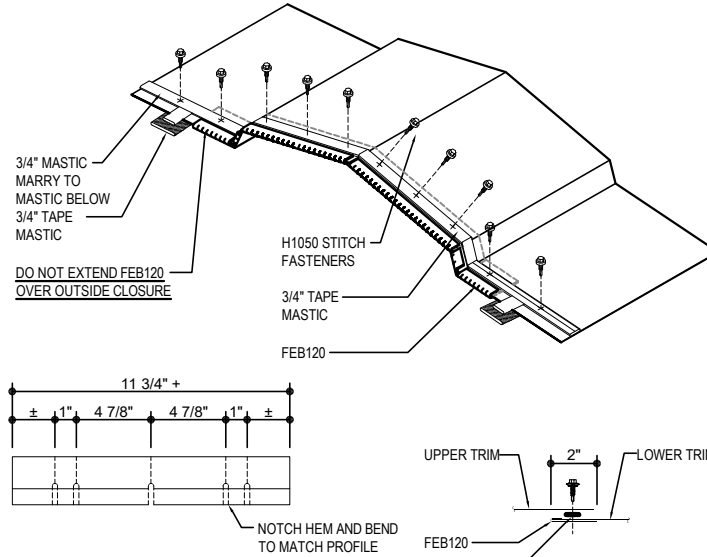
EG3030 - LOC SEAM - RIDGE - JOIST INSULATION PAN

EG3010 - LOC SEAM RIDGE

[Download the DWG file by clicking here.](#)

RIDGE CAP LAP & FLASHING BACKER

SLIDE FIELD CUT SECTION FLASHING ENDLAP BACKER ONTO THE LOWER TRIM PIECE. PLACE TAPE MASTIC NEXT TO HEM OF THE BACKER (NOT ON TOP OF HEM). MARRY LAP MASTIC WITH MASTIC BETWEEN RIDGE CAP AND RIDGE CLOSURE ZEE.

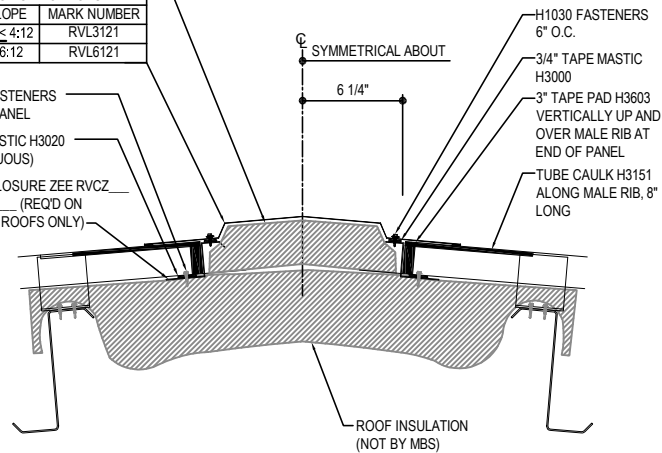


FLASHING ENDLAP BACKER
FIELD CUT FROM STANDARD FEB120

FILL RIDGE CAP WITH INSULATION TO PREVENT CONDENSATION

RIDGE CAP OPTIONS	
ROOF SLOPE	MARK NUMBER
> 1/4:12 & ≤ 4:12	RVL3121
> 4:12 & ≤ 6:12	RVL6121

H1030 FASTENERS
(5) PER PANEL
TAPE MASTIC H3020
(CONTINUOUS)
RIDGE CLOSURE ZEE RVCZ
w/ RVCC (REQ'D ON
PAINTED ROOFS ONLY)



RIDGE TRIM DETAIL
RIDGE TRIM DETAIL

EG3010

Detailer Notes:

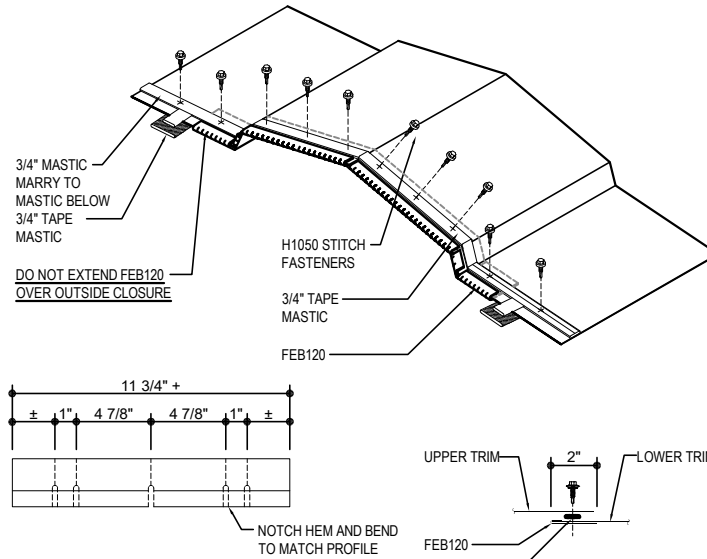
- 1) N/A

EG3020 - LOC SEAM - PURLIN INSULATION PAN

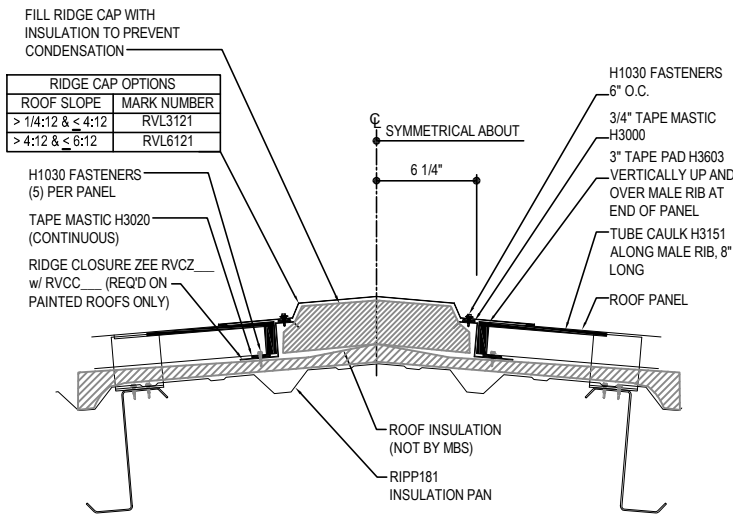
[Download the DWG file by clicking here.](#)

RIDGE CAP LAP & FLASHING BACKER

SLIDE FIELD CUT SECTION FLASHING ENDLAP BACKER ONTO THE LOWER TRIM PIECE. PLACE TAPE MASTIC NEXT TO HEM OF THE BACKER (NOT ON TOP OF HEM). MARRY LAP MASTIC WITH MASTIC BETWEEN RIDGE CAP AND OUTSIDE CLOSURE



FLASHING ENDLAP BACKER
FIELD CUT FROM STANDARD FEB120



RIDGE TRIM DETAIL
RIDGE TRIM DETAIL

EG3020

Detailer Notes:

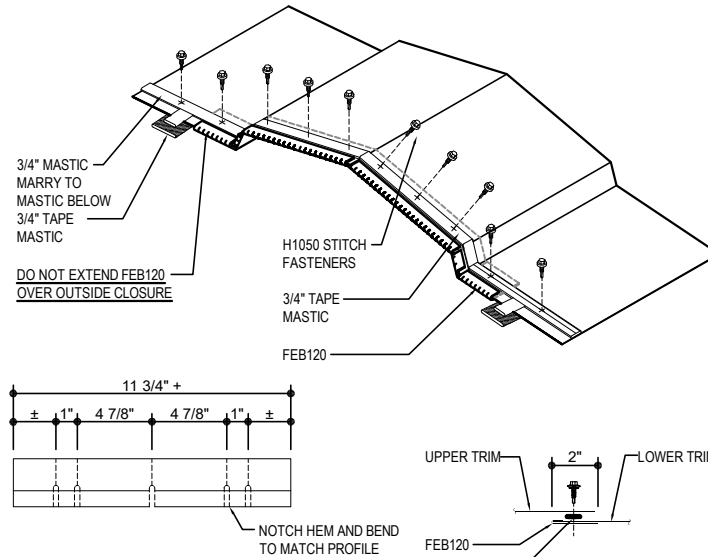
- 1) N/A

EG3030 - LOC SEAM - JOIST INSULATION PAN

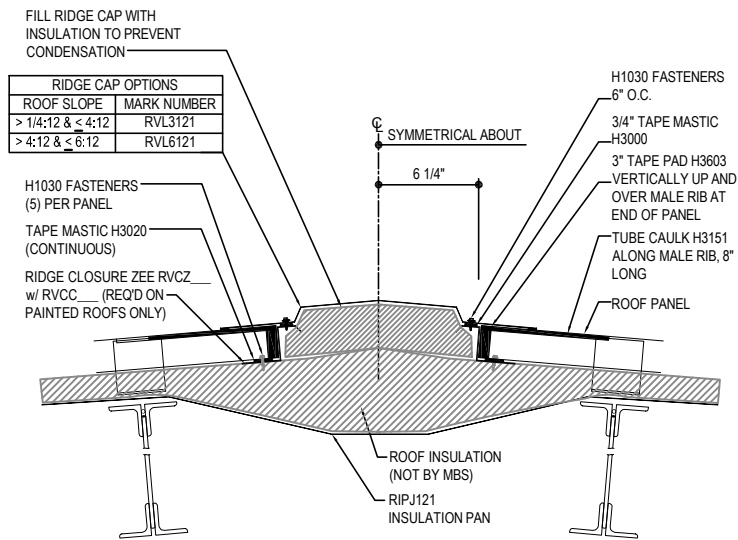
[Download the DWG file by clicking here.](#)

RIDGE CAP LAP & FLASHING BACKER

SLIDE FIELD CUT SECTION FLASHING ENDLAP BACKER ONTO THE LOWER TRIM PIECE. PLACE TAPE MASTIC NEXT TO HEM OF THE BACKER (NOT ON TOP OF HEM). MARRY LAP MASTIC WITH MASTIC BETWEEN RIDGE CAP AND OUTSIDE CLOSURE



FLASHING ENDLAP BACKER
FIELD CUT FROM STANDARD FEB120



RIDGE TRIM DETAIL
RIDGE TRIM DETAIL

EG3030

Detailer Notes:

- 1) N/A